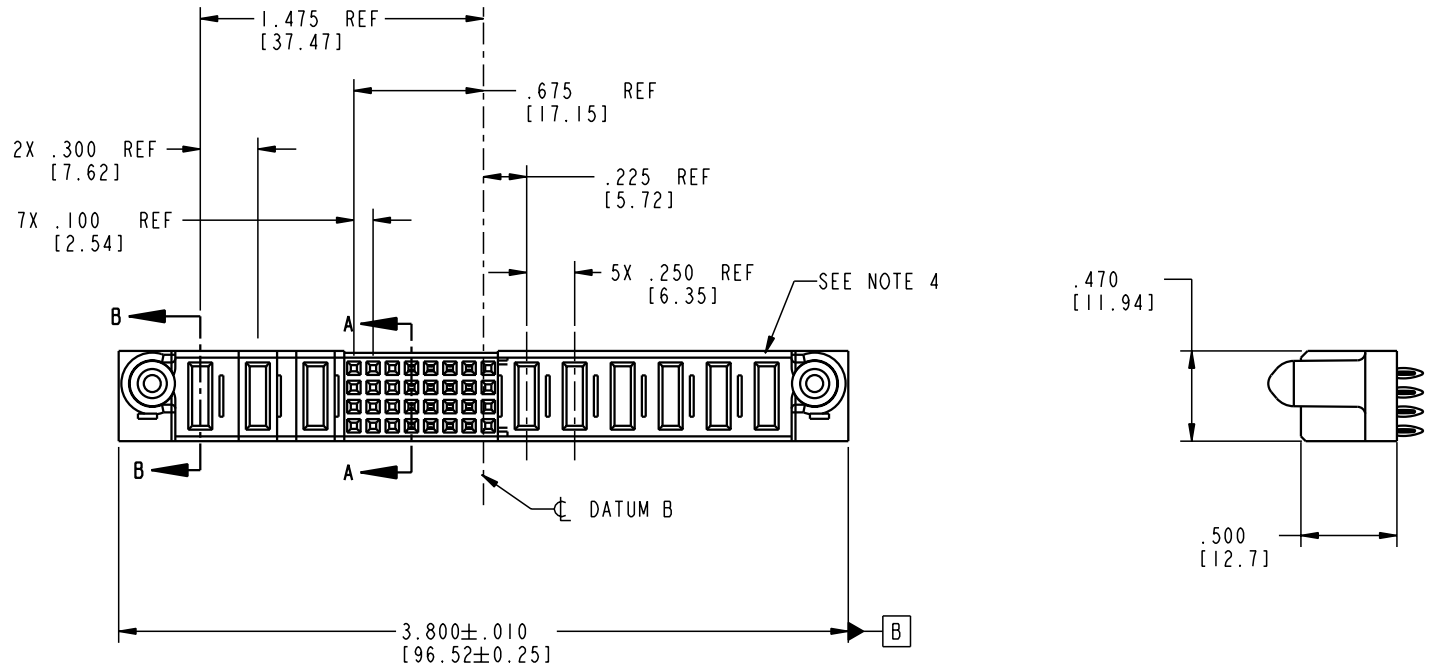


Tous droits strictement réservés. Reproduction ou communication o des liers interdite sous quelque forme que ce soit sans autorisation écrite du propriétaire. Propriete de c FCI. Droits de reproduction FCI.

All rights strictly reserved. Reproduction or issue to third parties in any form whenever is not permitted without written authority from the proprietor. Property of FCI. Copyright FCI.



PRODUCT NO.	ROWS	POWER			SIGNAL							POWER					E1			
		E2	P9	P8	P7	8	7	6	5	4	3	2	1	P6	P5	P4		P3	P2	P1
51936-003	D C B A		PF	PF	PC	X	X	X	F	F	F	F	X	PF	PF	PF	PF	PF	PF	
						X	X	X	F	F	F	F	X							
						X	X	X	F	F	F	F	X							
						X	X	X	F	F	F	F	X							



CODE	DIM "M" ±.010[0.25]	CONTACT TYPE
F	N/A [N/A]	SIGNAL
PC	.042 [1.07]	POWER
PF	.092 [2.34]	POWER
X	OMITTED	OMITTED

mat'l code				SEE NOTE 2		tolerances unless otherwise specified		CUSTOMER		ELECTRONICS www.fciconnect.com	
ltr	ecn no.	dr	date	linear	.XX±.01/0.X±0.3		COPY		title 6P + 32S + 3P VERTICAL PRESS-FIT RECEPTACLE		
A	V20789	JWS	04-23-02		.XXX±.005/0.XX±0.13		projection				
					.XXX±.0020/0.XX±0.051						
				angles	0°±		INCH/MM		product family		code
				dr	J. SHAFFER	04-23-02	scale		PwrBlade		213
				engr	J. ALLISON	04-23-02	1:1		size		sheet
				chr	J. ALLISON	04-23-02			A		1 of 4
				appd	J. ALLISON	04-23-02			51936-003		
sheet index	revision sheet	A	A	A	A				cage code		
		1	2	3	4				22526		

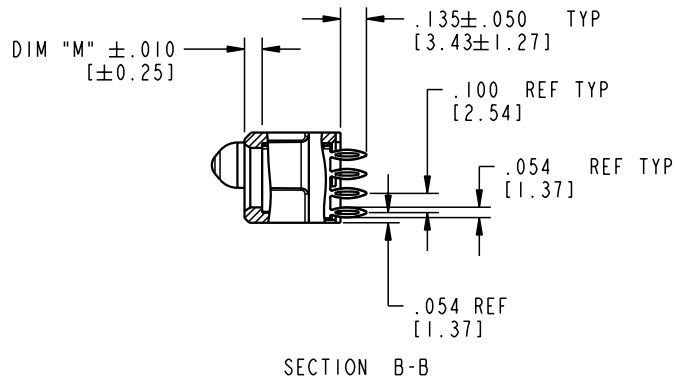
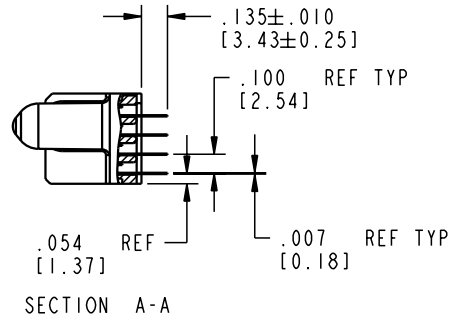
Pro/E 3 cage code 22526 4

Tous droits strictement reserves. Reproduction ou communication a des tiers interdite sous quelque forme que ce soit sans autorisation ecrite du proprietaire. Propriete de c FCI. Droits de reproduction FCI.

All rights strictly reserved. Reproduction or issue to third parties in any form whatever is not permitted without written authority from the proprietor. Property of FCI. Copyright FCI.



PRODUCT NUMBER
51936-003



mat'l code				SEE NOTE 2		tolerances unless otherwise specified		CUSTOMER		ELECTRONICS www.fciconnect.com	
ltr	ecn no.	dr	date	linear	.XX ± .01 / 0.X ± 0.3		COPY			title	
A					.XXX ± .005 / 0.XX ± 0.13		INCH/MM			6P + 32S + 3P	
				angles	.XXX ± .0020 / 0.XXX ± 0.051				VERTICAL PRESS-FIT RECEPTACLE		
				dr	J. SHAFFER	04-23-02	scale		product family		code
				enr	J. ALLISON	04-23-02	1:1		PwrBlade		213
				chr	J. ALLISON	04-23-02			size		sheet
				appd	J. ALLISON	04-23-02			A		2
sheet index		revision sheet									

Pro/E

cage code 22526

PDM: Rev:A

STATUS: Released

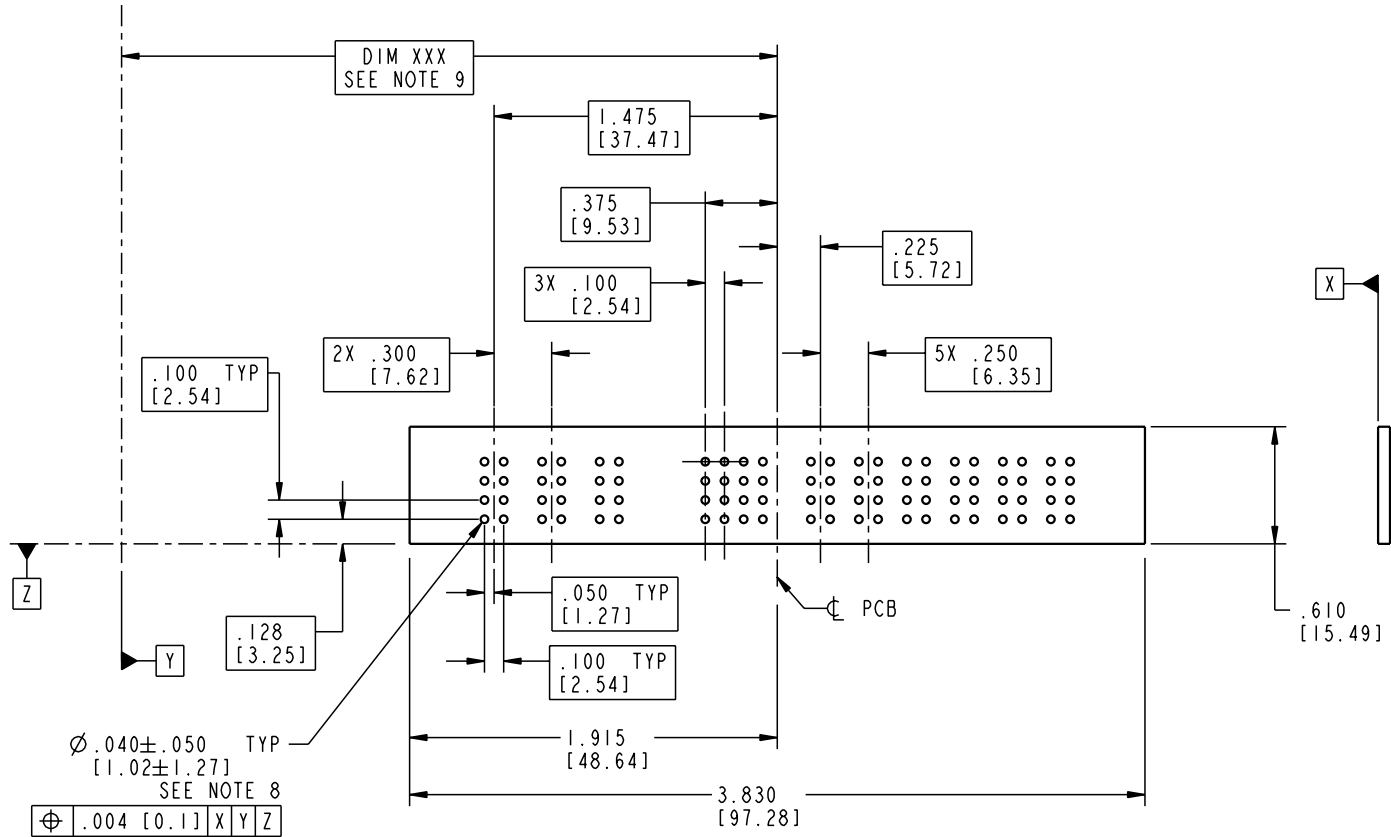
Printed: Aug 15, 2007

Tous droits strictement réservés. Reproduction ou communication o des tiers interdite sous quelque forme que ce soit sans autorisation écrite du propriétaire. Propriete de c FCI. Droits de reproduction FCI.



All rights strictly reserved. Reproduction or issue to third parties in any form whatever is not permitted without written authority from the proprietor. Property of FCI. Copyright FCI.

PRODUCT NUMBER
51936-003



mat'l code				SEE NOTE 2		tolerances unless otherwise specified		CUSTOMER		ELECTRONICS www.fciconnect.com	
ltr	ecm no.	dr	date	linear	.XX ± .01 / 0.XX ± 0.3	COPY		projection		title	
A				linear	.XXX ± .005 / 0.XX ± 0.13	A				6P + 32S + 3P	
				angles	.XXX ± .0020 / 0.XX ± 0.051					VERTICAL PRESS-FIT RECEPTACLE	
				dr	J. SHAFFER 04-23-02	INCH/MM		product family		code	
				engr	J. ALLISON 04-23-02	A		PwrBlade		213	
				chr	J. ALLISON 04-23-02	scale		size		dwg no	
				appd	J. ALLISON 04-23-02	1:1		A		51936-003	
sheet index		revision sheet								sheet 3	

Pro/E

cage code 22526

PDM: Rev:A

STATUS: Released

Printed: Aug 15, 2007

Tous droits strictement réservés. Reproduction ou communication o des tiers interdite sous quelque forme que ce soit sans autorisation écrite du propriétaire. Propriété de c FCI. Droits de reproduction FCI.



All rights strictly reserved. Reproduction or issue to third parties in any form, whenever is not permitted without written authority from the proprietor. Property of FCI. Copyright FCI.

PRODUCT NUMBER
51936-003

NOTES:

1. DIMENSIONS AND TOLERANCES ARE IN ACCORDANCE WITH ASME Y14.5M, 1994 UNLESS OTHERWISE SPECIFIED.

CONNECTORS NOTES:

② HOUSING MATERIAL: UL 94 V-0 GLASS FILLED HIGH TEMP THERMO PLASTIC
POWER CONTACT MATERIAL: COPPER ALLOY
SIGNAL PIN MATERIAL: COPPER ALLOY

3. PLATING:

SIGNAL PINS: 30u"/0.76um Au OVER 50u"/1.27um Ni
POWER CONTACTS: 50u"/1.27um Ni UNDER ALL WITH 30u"/0.76um Au ON CONTACT AREA AND SnPb ON PCB INTERFACE

④ "MANUFACTURER" NAME, P/N, AND DATE CODE TO APPEAR ON THIS SURFACE.

5. PRODUCT SPECIFICATION GS-12-149.

PCB - NOTES:

6. ALL HOLE DIAMETERS ARE FINISHED HOLE SIZE.

⑦ HOLD DOWN THROUGH HOLES ARE UNPLATED.

⑧ $\varnothing .0453 \pm 0.0010$ [1.151 \pm 0.025] DRILLED HOLES PLATED WITH 0.0003 [0.008] MIN SnPb OVER .001 [0.03] TO .003 [0.08] Cu PLATING TO ACHIEVE $\varnothing .040 \pm .003$ [1.02 \pm .07] HOLE.

⑨ "DIM XXX" TO BE DETERMINED BY THE CUSTOMER.

mat'l code		SEE NOTE 2		tolerances unless otherwise specified		CUSTOMER		ELECTRONICS www.fciconnect.com	
ltr	ecm no.	dr	date	linear	.XX ± .01/0.X ± 0.3	COPY		title	
A				projection	.XXX ± .005/0.XX ± 0.13	INCH/MM		6P + 32S + 3P	
				angles	.XXX ± .0020/0.XXX ± 0.051	1:1		VERTICAL PRESS-FIT RECEPTACLE	
				dr	J. SHAFFER 04-23-02	product family		PwrBlade	
				engr	J. ALLISON 04-23-02	size		213	
				chr	J. ALLISON 04-23-02	dwg no		4	
				appd	J. ALLISON 04-23-02	A		51936-003	
sheet index	revision sheet								

cage code 22526

Pro/E

PDM: Rev:A

STATUS: Released

Printed: Aug 15, 2007